

A2 LIGHTING KIT

RED FAA L864 & L810

TOWERS FROM 351' TO 700'

INSTALLATION PER FAA ADVISORY CIRCULAR AC70/7460
AND UNITED STATES NATIONAL ELECTRIC CODE NFPA-70.
ALL CABLE AND ACCESSORIES INCLUDED IN KIT.
INSTALLATION DRAWINGS AND BILL OF MATERIAL
PROVIDED WITH PURCHASE.

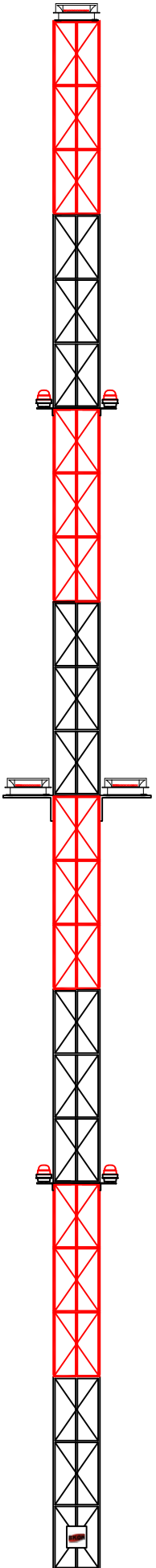
**OWNER TO FURNISH REQUIRED POWER INPUT,
120 VAC, 50/60 HZ & 48VDC
LOAD REQUIREMENT = 90VA**

MISCELLANEOUS ITEMS TO COMPLETE INSTALLATION
BEYOND SCOPE OF KIT DESIGN ARE NOT INCLUDED,
BUT AVAILABLE IF REQUIRED BY SPECIFICATION.

LOWEST POWER & LONGEST LASTING LED SYSTEM
GREEN POWER COST SAVINGS
MEETS ROHS COMPLIANCE
FIVE YEAR WARRANTY

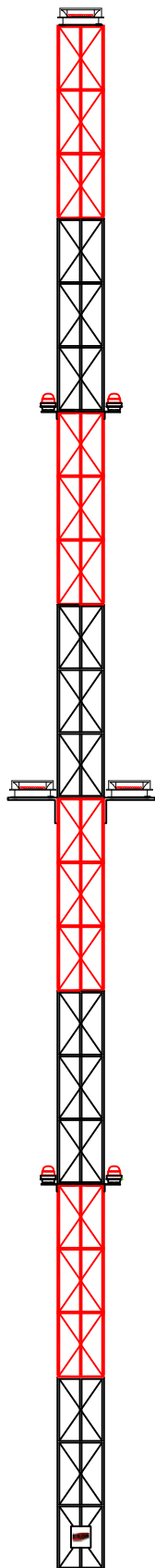


124 South Street
Franklin, KY 42134
Tel: 270-598-8859 Fax: 270-598-8797
TOLL FREE: 1-800-621-4419



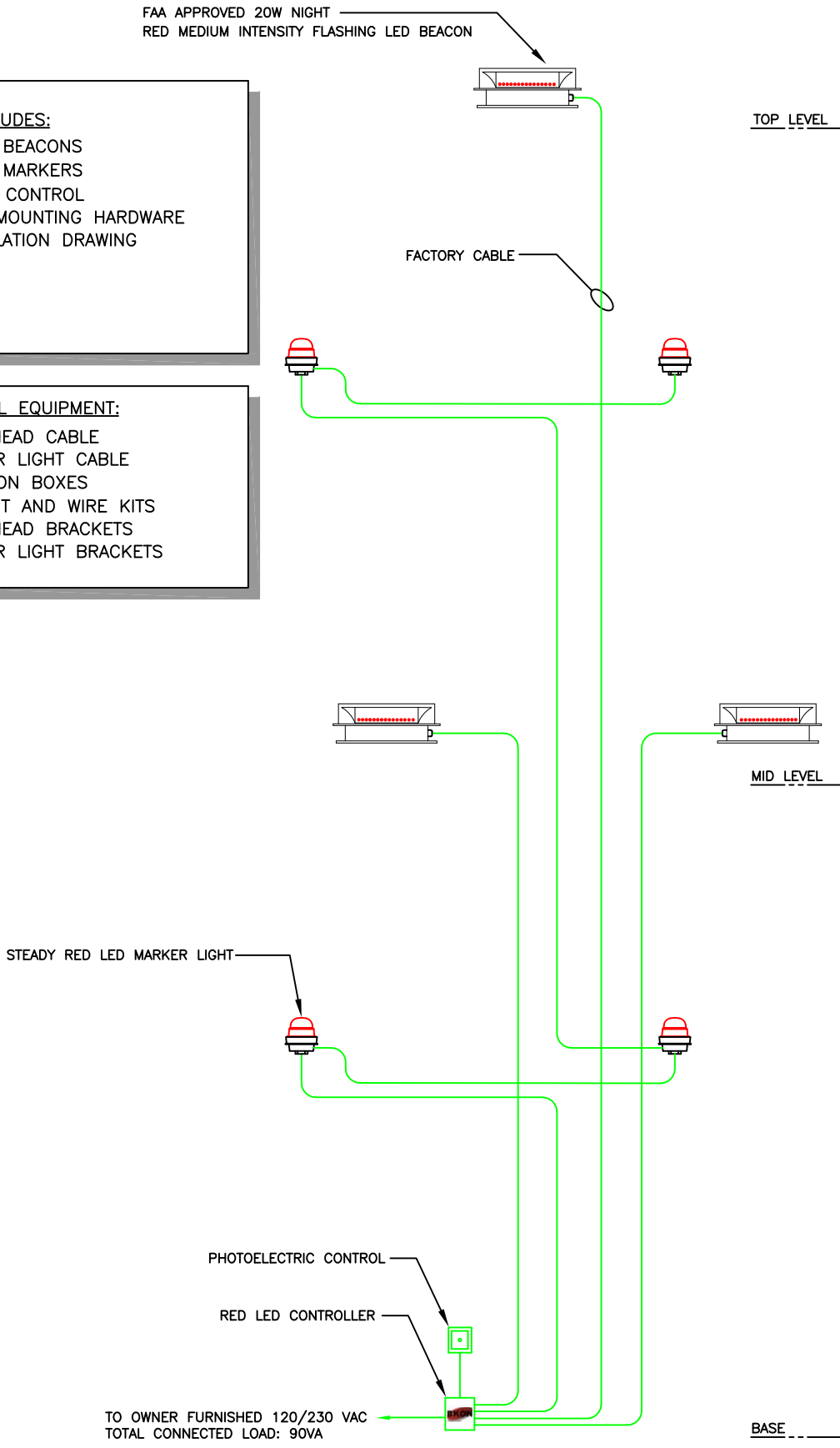


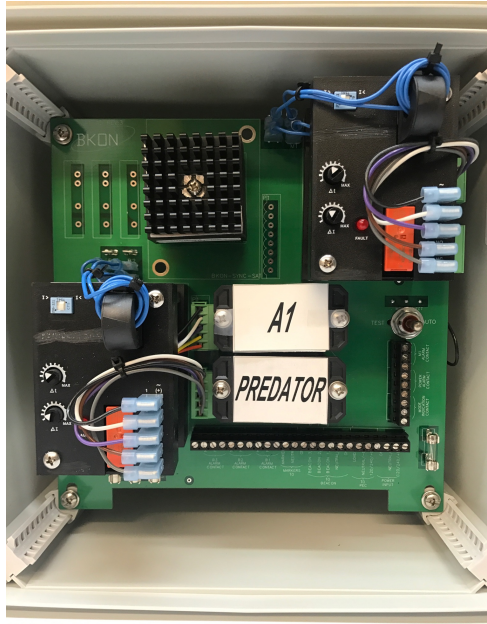
LOCATION USA A2 RED TOWER KIT
351'-700'
DRAWING NO. A2KITBIDSKETCH DATE 3-9-17
SCALE N.T.S.



- KIT INCLUDES:**
- 3 LED BEACONS
 - 6 LED MARKERS
 - PHOTO CONTROL
 - MISC. MOUNTING HARDWARE
 - INSTALLATION DRAWING

- OPTIONAL EQUIPMENT:**
- FLASHHEAD CABLE
 - MARKER LIGHT CABLE
 - JUNCTION BOXES
 - CONDUIT AND WIRE KITS
 - FLASHHEAD BRACKETS
 - MARKER LIGHT BRACKETS





10" x 10"
10 lbs / 4.53 kg

PREDATOR

A0, A1, A2, A3 RED LED LIGHT CONTROLLER

Modeled for use with LED L864 Beacons & LED L810 Marker Lights.

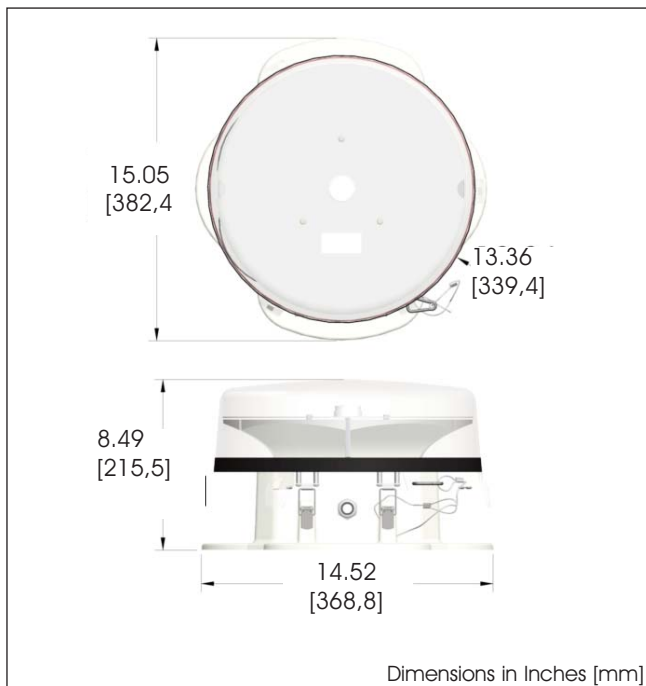
Features	Benefits
48VDC-120, 240 50/60HZ	Multiple Voltage Input for diverse application
30-40 Pulses per minute	Per FAA requirement
NEMA 4 Enclosure	NEMA4 Typical NEMA4X Stainless Steel & Class I Div II, Explosion Proof Enclosures, and Polycarbonate Enclosures
Screw terminals	Standard, no special connection devices needed
Fused	In-line Over-current Protection
Beacon Monitoring	Standard individual monitoring per beacon. (Form C contact) Able to monitor 8+ beacons on only one output *
Marker Monitoring	Standard per level monitoring. Can Monitor one failure on multiple levels with only one output. (Form C contact)
Programming and resetting not required	Microprocessors will not reset if power is lost
Field Adjustable	Monitoring settings based on tower configuration and can be adjusted at the installation location
Power Monitoring Alarm	Power failure (Form C contact)
Mode Switch plus Mode Monitoring (Form C contact)	Test and Auto operation for initial startup and future inspection
Photo Electric Control ON @ 35 FC / OFF @ 60 FC	Per FAA requirement

* Same size controller can be used for A1-A3 configuration including FAA structures up to 1050' AGL. Individual monitoring available if required. A3 system based on monitoring beacons per level.
See our Tower Kits on the website for complete tower installation systems.



US Patents # 7,281,821 #7,568,821 other patents pending

BKON™ LED Based L-864 Medium Intensity (Red) Beacon



Certifications & Ratings

- FAA Approved
(Check FAA Website for current certification)
- IP 66

Qualified By

- Intertek ETL
- CSA

Compliant To

- Canadian Aviation Regulation CAR 621 (Transport Canada)
- DGAC Mexico

Application:

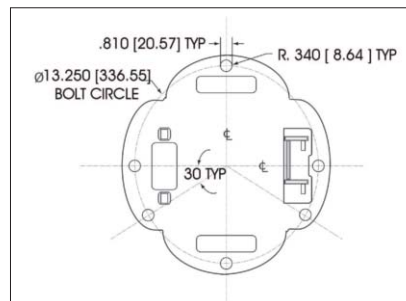
The BKON™ L-864 LED based medium intensity red beacon utilizes state-of-the-art optical design to achieve the most compact, efficient, FAA compliant L-864 device in the market. While it readily interfaces into existing installations, its robust, low power design will provide years of maintenance free service.

The L-864 has extremely low RF interference and is ideal for the most difficult environments, including "hot" AM towers.

Unit Weight:	18 lbs (8.18 kg)
Operating Voltage:	AC: Universal 120-240V AC 50/60Hz power factor corrected supply DC: 24-48V DC +/-10%
Supply Voltage Ranges:	Nominal +/- 10%
Effective Intensity:	2,000 cd
Wattage:	3.3W (16.7% duty cycle) 20 flashes per minute with 0.5 second on time
Operating Temp:	-40°F to +131°F (-40°C to +55°C)
Power Factor:	>0.9



Attaches to existing incandescent base



Flip top design for simple installation

Part Number	Description	Voltage	Certification / Compliance
D564-A13-001	Red Beacon	120-240V AC	FAA(TC) L-864
D464-A54-001	Red Beacon	24-48V DC	FAA (TC) L-864
D564-C13-001-TC	Red Beacon	120-240V AC	TC only L-864
D464-R13-001	Red + Infrared (IR) Beacon	120-240V AC	FAA (TC) L-864
D464-3002	Retro-fit Adapter		

Attaches to existing incandescent base

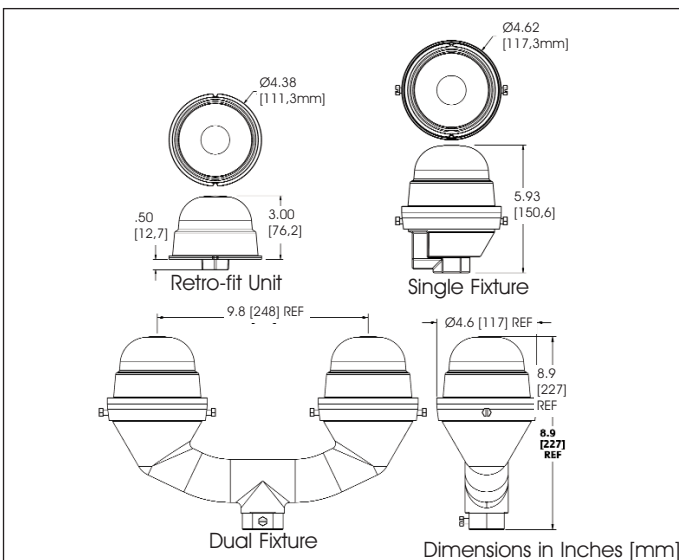


Guiding the Way



US Patent #7,604,384

BKON™ Series LED Based RTO L-810 Red LED Obstruction Lights



Certifications & Ratings:

- ▷ FAA AC NO: 150/5345-43F
- ▷ FAA Engineering Brief No. 67
- ▷ IP65 / IP66 / NEMA 4X

Qualified By:

- ▷ Intertek ETL
- ▷ Lighting Sciences Canada
- ▷ DGAC Mexico

Compliant to:

- ▷ ICAO Annex 14, 5th Edition, July 2009
- ▷ ICAO Aerodromes Design Manual, Chapter 18
- ▷ Canadian Aviation Regulation CAR 621.19 (Transport Canada)
- ▷ Nachrichten für Luffahrer Teil I Langen, 6. Januar 2005
- ▷ German Air Traffic Control Notices For Pilots Part I 6, January 2005

Features & Benefits:

- ▷ Available in 120 - 277 VAC and 12 - 48 VDC
- ▷ Simple retro-fit using existing wiring and housing
- ▷ Weather/corrosion resistant lamp assembly and housing
- ▷ Self-contained wiring compartment eliminates additional boxes
- ▷ Threaded 1" and 3/4" bottom hub for mounting
- ▷ Can be operated steady or flashed (controller not supplied)
- ▷ Uses 95% less energy than incandescent
- ▷ Complete performance 5 year warranty
- ▷ Resistant to shock and vibration
- ▷ UV, scratch & chemical resistant lens coating

Application:

BKON's™ RTO Series obstruction light utilizes a unique optical, electrical and mechanical design. The RTO series is the most universal, compact and efficient obstruction light in the world. ETL Certified to the FAA requirements, the RTO series fixture is also ICAO and Transport Canada compliant. Also available as a single fixture for direct replacement of incandescent lamp/lens technology.

Unit Weight:	1.25lbs (0.56 kg) (Retro Unit) 2.00lbs (0.91 kg) (Single Unit) 4.60lbs (2.09 kg) (Dual Unit)
Supply Voltage Ranges:	Nominal +/- 10%
Nominal Input Power:	6.5 (FAA - 120-240 VAC Units) 8.5 (TC - 120-240 VAC Units) 8.0 (FAA - 277VAC Units) 3.5 (FAA - 12-48 VDC Units)
Wattage:	5.5W (FAA - 120-240 VAC Units) 5.0W (FAA - 12-48 VDC Units)
Power Factor:	>0.9 (All AC units)
Operating Temp:	-40°F to +131°F (-40°C to +55°C)

Order code:

Part Number	Configuration	Compliance	Operating Voltage
RTO-1R07-001	Single Fixture	FAA	120-240 VAC
RTO-6R07-001	Single Fixture	TC	120-240 VAC
RTO-1R06-001	Single Fixture	FAA	277 VAC
RTO-1R08-001	Single Fixture	FAA	12-48 VDC
RTO-1R07-001-EU	Single Fixture	ICAO	120-240 VAC
RTO-1R07-002	Dual Fixture	FAA	120-240 VAC
RTO-6R07-002	Dual Fixture	TC	120-240 VAC
RTO-1R06-002	Dual Fixture	FAA	277 VAC
RTO-1R08-002	Dual Fixture	FAA	12-48 VDC
RTO-1R07-002-EU	Dual Fixture	ICAO	120-240 VAC
RTO-1R07-004	Single Retro-Fit Fixture	FAA	120-240 VAC
RTO-6R07-004	Single Retro-Fit Fixture	TC	120-240 VAC
RTO-1R06-004	Single Retro-Fit Fixture	FAA	277 VAC
RTO-1R08-004	Single Retro-Fit Fixture	FAA	12-48 VDC
RTO-1R07-004-EU	Single Retro-Fit Fixture	ICAO	120-240 VAC

BKON also offers these obstruction lights



BKON™ Series L-810
Infrared (IR) LED Obstruction Lights
for use with aviator night vision goggles



LED Visual Signal Lights