

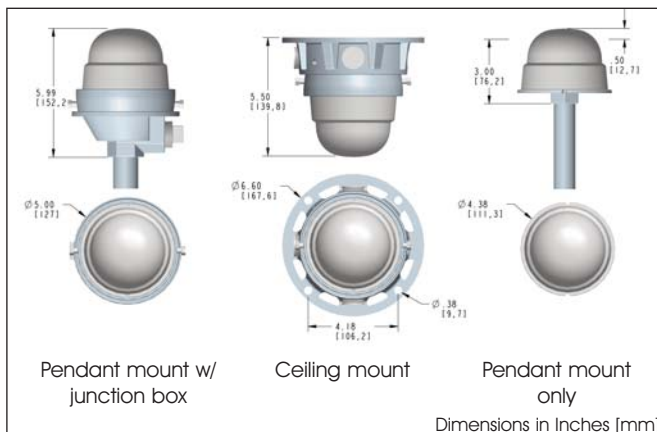


Application:

BKON's RTO series LED visual signal lights are the most compact, efficient and durable units on the market. Consuming only 8 Watts, the RTO series features a direct replacement for traditional incandescent visual signal units. Built specifically for harsh environments, the RTO series is resistant to shock and vibration.

All of BKON's long life LED luminaires are designed to meet the most demanding specification criteria while offering maximum energy savings, reduced maintenance costs, and a superior quality of light.

RTO Series Color LED Visual Signal Lights



Certifications & Compliance

- ▷ UL1598
- ▷ CSA C22.2 #250
- ▷ IP66, NEMA 4X

Features & Benefits:

- ▷ Low power consumption
- ▷ Instant on/off response
- ▷ Weather/corrosion resistant lamp assembly and housing
- ▷ Universal input (120-240 VAC), 50/60 Hz
- ▷ Resistant to shock and vibration
- ▷ 5 year warranty

Order Codes:

Part Number	Color	Mounting
RTO-AW07-001	White	Pendant mount w/ junction box
RTO-AW07-004	White	Pendant mount only
RTO-AW07-005	White	Ceiling mount
RTO-OR07-001	Red	Pendant mount w/ junction box
RTO-OR07-004	Red	Pendant mount only
RTO-OR07-005	Red	Ceiling mount
RTO-OG07-001	Green	Pendant mount w/ junction box
RTO-OG07-004	Green	Pendant mount only
RTO-OG07-005	Green	Ceiling mount
RTO-OB07-001	Blue	Pendant mount w/ junction box
RTO-OB07-004	Blue	Pendant mount only
RTO-OB07-005	Blue	Ceiling mount
RTO-OY07-001	Yellow	Pendant mount w/ junction box
RTO-OY07-004	Yellow	Pendant mount only
RTO-OY07-005	Yellow	Ceiling mount

Mechanical Information:

Container Dimensions: 7.60" x 5.25" x 5.75"
193.04mm x 133.35 mm x 146.05mm

Container Weight: 2 lbs (0.91 kg)

Mounting: **Pendant Mount (-001)** - 1" & 3/4" NPT reducer bi-directional mounting
Pendant Mount (-004) - with 3/4" NPT threaded conduit
Ceiling Mount (-005) - 3/4" NPT 5-way surface mounting

Electrical specifications:

Operating Voltage: 120-240 VAC, 50/60 Hz

Power Consumption: 8W (nom)

Operating Temp: -40°F to +133°F (-40°C to +55°C)

Surge / Lightning Protection: 1 kV line to line
2 kV line to ground

THD: < 20 %

Power Factor: > 0.9

Material:

Housing: Diecast powder coat aluminum base

Lens: UV stabilized abrasion resistant polycarbonate

***Accessories - Wall Mount Kits:**

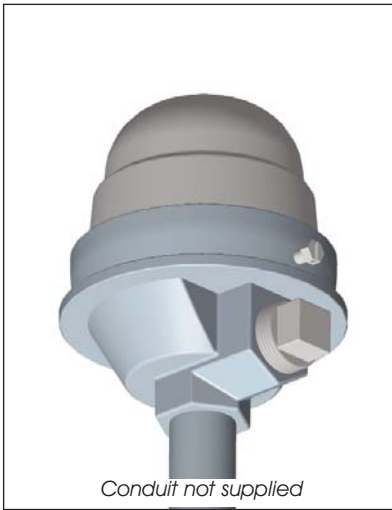
Part Number	Mounting
RTO-1000	Flush wall mount
RTO-1001	Junction box wall mount

**For use with pendant mount fixtures*

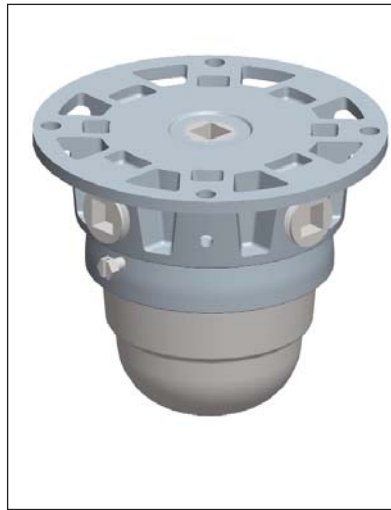


Buy American

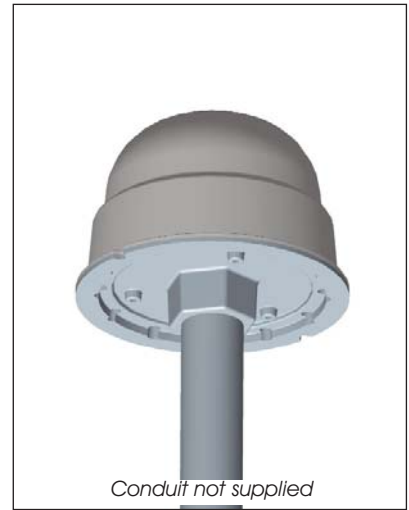
RTO Series LED Visual Signal Lights Mounting Options



Pendant Mount Configuration
RTO-XX07-001
(w/ Junction Box)



Ceiling Mount Configuration
RTO-XX07-005
(w/ Junction Box)

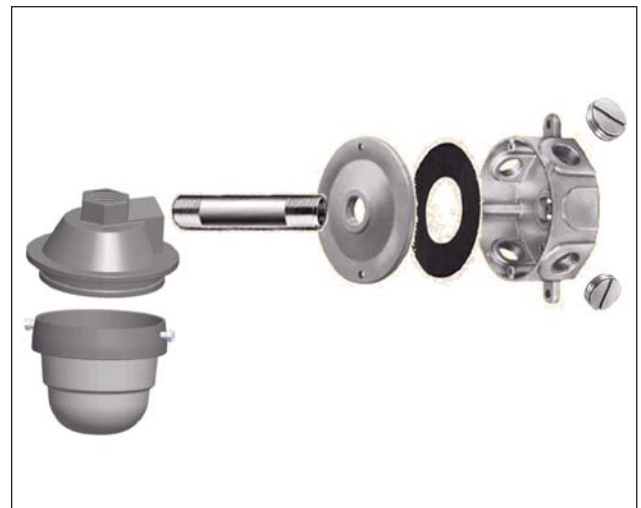


Pendant Mount Configuration
RTO-XX07-004

RTO Series LED Visual Signal Lights Mounting Accessories



Flush Wall Mount
RTO-1000



Junction Box Wall Mount
RTO-1001