

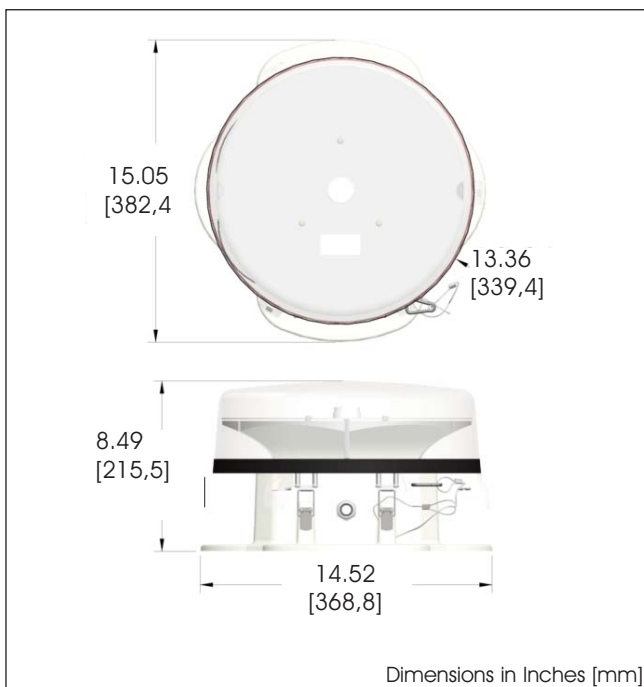


Guiding the Way



US Patents # 7,281,821 # 7,568,821 other patents pending

BKON™ LED Based L-864 Medium Intensity (Red) Beacon



Application:

The BKON L-864 LED based medium intensity red beacon utilizes state-of-the-art optical design to achieve the most compact, efficient, FAA compliant L-864 device in the market. While it readily interfaces into existing installations, its robust, low power design will provide years of maintenance free service.

The L-864 has extremely low RF interference and is ideal for the most difficult environments, including "hot" AM towers.

Unit Weight:	18 lbs (8.18 kg)
Operating Voltage:	AC: Universal 120-240V AC 50/60Hz power factor corrected supply
	DC: 24-48V DC +/-10%
Supply Voltage Ranges:	Nominal +/- 10%
Effective Intensity:	2,000 cd
Wattage:	3.3W (16.7% duty cycle) 20 flashes per minute with 0.5 second on time
Operating Temp:	-40°F to +131°F (-40°C to +55°C)
Power Factor:	>0.9



Attaches to existing incandescent base

Certifications & Ratings

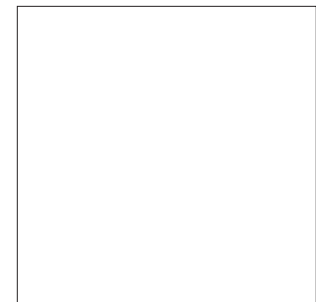
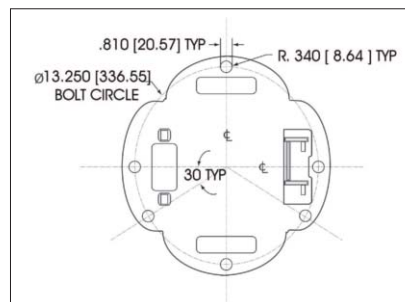
- FAA Approved
(Check FAA Website for current certification)
- IP 66

Qualified By

- Intertek ETL
- CSA

Compliant To

- Canadian Aviation Regulation CAR 621 (Transport Canada)
- DGAC Mexico



Flip top design for simple installation

Part Number	Description	Voltage	Certification / Compliance
D564-A13-001	Red Beacon	120-240V AC	FAA(TC) L-864
D464-A54-001	Red Beacon	24-48V DC	FAA (TC) L-864
D564-C13-001-TC	Red Beacon	120-240V AC	TC only L-864
D464-R13-001	Red + Infrared (IR) Beacon	120-240V AC	FAA (TC) L-864
D464-3002	Retro-fit Adapter		

Attaches to existing incandescent base