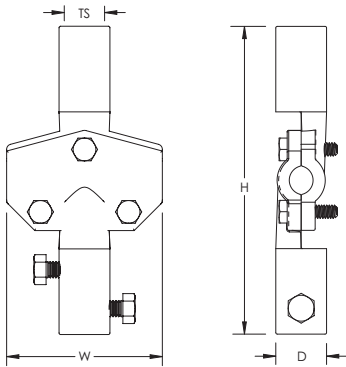


Industrial Stack Base, Horizontal/Vertical Cable Run



- Cast air terminal base for use with horizontal and/or vertical conductor runs
- Industrial stack installations require additional support from industrial stack terminal holders



Part Number	FCT 334-LC
Conductor Size, UL	Class 2 (4/0 Max)
Material	Brass
Finish	Lead Covered
Thread Size (TS)	5/8 UNC
Depth (D)	1"
Height (H)	6"
Width (W)	3"
Unit Weight	3.933 lb
Certifications	UL
Standard Packaging Quantity	1 pc
UPC	78285643267
EAN-13	8711893097016

Where applicable, lead covering thickness is a minimum of 1/16" [1.59 mm] and is not included in the stated dimensions.

UL, UR, cUL, cUR, cULus and cURus are registered certification marks of UL LLC.