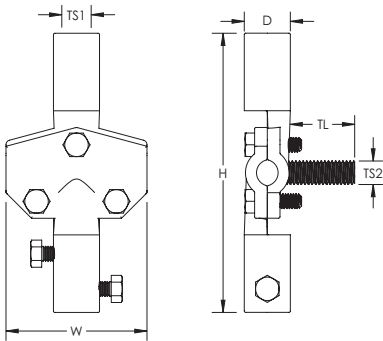




Industrial Stack Base with Stud, Horizontal/Vertical Cable Run



- Cast air terminal base for use with horizontal and/or vertical conductor runs
- Welded threaded stud for use with expansion anchors



| | |
|-----------------------------|-------------------|
| Part Number | FCT 634 LG |
| Conductor Size, UL | Class 2 (4/0 Max) |
| Material | Bronze |
| Finish | Bare |
| Thread Size 1 (TS1) | 5/8 UNC |
| Thread Size 2 (TS2) | 1/2 UNC |
| Thread Length (TL) | 1 1/2" |
| Depth (D) | 1" |
| Height (H) | 6" |
| Width (W) | 3" |
| Unit Weight | 1.605 lb |
| Certifications | UL |
| Standard Packaging Quantity | 1 pc |
| UPC | 78285642879 |

Where applicable, lead covering thickness is a minimum of 1/16" (1.59 mm) and is not included in the stated dimensions.

UL, UR, cUL, cUR, cULus and cURus are registered certification marks of UL LLC.