

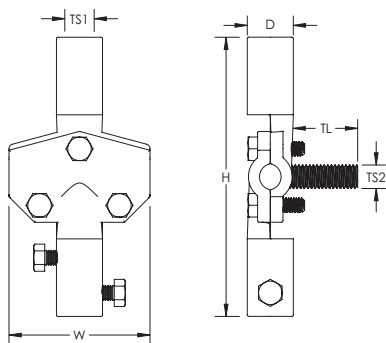


Guiding the Way

## Industrial Stack Base with Stud, Horizontal/Vertical Cable Run



- Cast air terminal base for use with horizontal and/or vertical conductor runs
- Welded threaded stud for use with expansion anchors



Part Number	FCT 634-LC
Conductor Size, UL	Class 2 (4/0 Max)
Material	Bronze
Finish	Lead Covered
Thread Size 1 (TS1)	5/8 UNC
Thread Size 2 (TS2)	1/2 UNC
Thread Length (TL)	7/8"
Depth (D)	1"
Height (H)	6"
Width (W)	3"
Unit Weight	4.175 lb
Certifications	UL
Standard Packaging Quantity	1 pc
UPC	78285643275

Where applicable, lead covering thickness is a minimum of 1/16" (1.59 mm) and is not included in the stated dimensions.

UL, UR, cUL, cUR, cULus and cURus are registered certification marks of UL LLC.